

# Flygt 2400.402

DEWATERING PUMP

50 Hz

## Tough pumps for dewatering

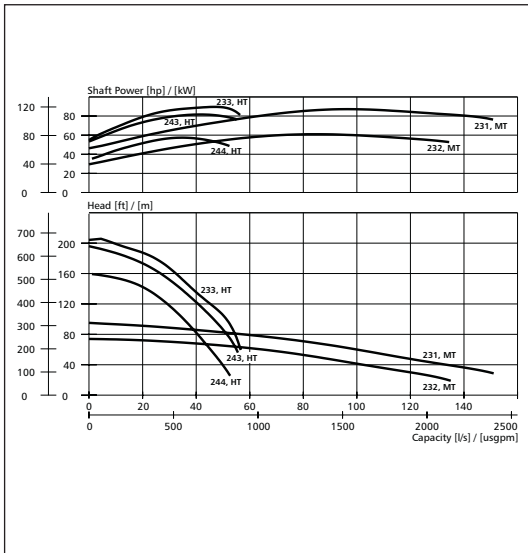
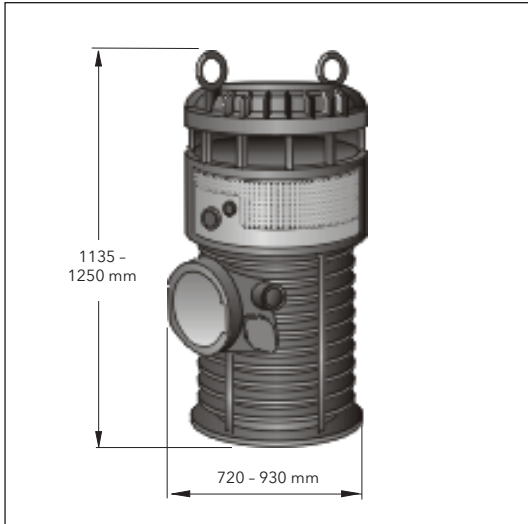
The Flygt dewatering pumps from Xylem are designed for tough operating conditions. The pumps are ideal for applications in which the water or liquid contains high amounts of clay, stone chips, drilling fines etc, or to pump heavy sediment from tanks, sumps and containers.

This cast iron dewatering pump is designed for heavy-duty applications in which the liquids are corrosive, abrasive or contains salt water.

Our dewatering pumps are backed by an outstanding support and world-wide presence. Operating in over 150 countries, we bring many years of experience to bear in order to keep your business moving.



**FLYGT**  
a xylem brand



Voltage (V)	Rated current (A)	Starting current (A)
380	155	1170
400	149	1255
415	142	1075
440	136	1140
500	118	825
550	109	915
1000	59	485

## Product

Submersible pump for dewatering building yards, draining water in flooded areas, and other similar applications.

## Denomination

Product code	2400.402
Installation	S
Impeller characteristics	MT, HT
Discharge connection	4", 6"

## Process data

Liquid temperature	max +40 °C
Depth of immersion	max 20 m
The pH of the pumped liquid	pH 6 - 11
Liquid density	max 1100 kg/m <sup>3</sup>
Strainer hole size	10 mm x 10 mm

## Motor data

Squirrel cage 3-phase induction motor.

Frequency	50 Hz
Insulation class	H (+180° C)
Voltage variation	
- continuously running	max ± 5%
- intermittent running	max ± 10%
Voltage imbalance between phases	max 2%
No. of starts/hour	max 15

## Monitoring equipment

Thermal contacts  
PT-100 Transducer

## Cable

Direct-on-line and Y/D start SUBCAB®

## Material

Outer casing	Cast iron
Impeller	High chrome alloyed white cast iron
Wear parts	Nitrile rubber
Stator housing	Cast iron
Pump housing	Cast iron
Strainer	
Shaft	Stainless steel
Stationary wear ring	Galvanized steel
O-rings	Nitrile rubber

## Mechanical face seals

Inner	Corrosion resistant cemented carbide
Outer	Corrosion resistant cemented carbide

## Weight

Total (excl. cable) 900 - 985 kg

## Options

Polyurethane-lined wear parts	POLY-LIFE
Pump housing	Stainless steel
Impeller, alt. 1 (only HT)	Spheroidal graphite iron
alt. 2	Stainless steel
Stand	
Various cable sizes	
Zinc anodes	

## Accessories

Adapters, hose connections and other mechanical accessories. Electrical accessories such as pump controller, control panels, starters, monitoring relays, cables.

## Rating

3~	
Rated output	90 kW
Speed of rotation	2955 rpm